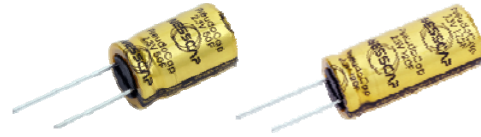




NESSCAP® Ultracapacitor Products

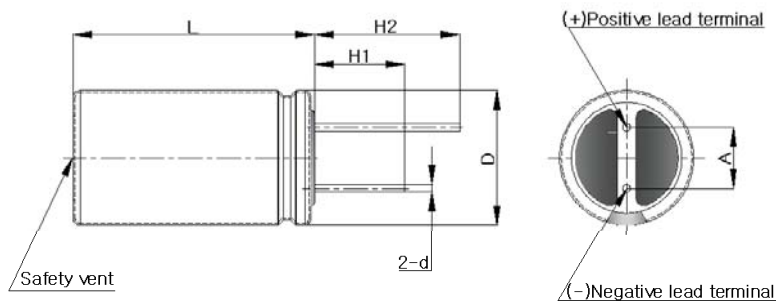
Features

Pseudocapacitor
Two lead terminals and radial design
Compliant with RoHS requirement (Ex : Cd, Pb)



Dimension

Dimension in mm (not to scale)



Capacitance (F)	Dimension (mm)					
	D (+0.5)	L (+1.5)	H1 (min)	H2 (min)	d (±0.05)	A (±0.5)
50	16	25	15	19	0.8	7.5
120	18	40	15	19	0.8	7.5

Product & Spec.

Rated Capacitance (F)	Internal Resistance (mΩ)		Max. Current (A)	Leakage Current (mA)	Stored Energy (Wh)	Specific Energy (Wh/kg)	Weight (g)	Part Number
	AC(1kHz)	DC						
50	< 24	< 36	20.5	< 0.076	0.037	4.87	7.6	PSHLR-0050C0-002R3
120	< 18	< 27	32.5	< 0.172	0.088	5.87	15.0	PSHLR-0120C0-002R3

Rated Voltage, V_R	2.3 V	
Surge Voltage	2.5 V	
Capacitance Tolerance	-10% / +20%	
Operating Temperature Range	-25 ~ 60 °C	ΔC < 30% and ΔESR < 4 times of initially measured value at 25°C, respectively
Storage Temperature Range	-30 ~ 70 °C	
Life Time at RT ⁽¹⁾	10 years	(1) ΔC < 30% and ΔESR < 2 times of initially specified value, respectively and LC < specified value
Cycle Life (25°C) ⁽¹⁾⁽²⁾	100,000 cycles	(2) Cycle : between rated voltage and half rated voltage under constant current at 25°C

* Life time is provisional value

© NESSCAP 2008. All Rights reserved. Design, Specifications are subjected to change without notice.

Nesscap Co., Ltd.
 (446-901) 750-8, Gomae-dong, Giheung-gu, Yongin-si, Gyeonggi-do, Korea
 Tel: +82-31-289-0721 Fax: +82-31-286-6767 e-mail: marketing@nesscap.com
www.nesscap.com

ISO 9001, ISO 14001, TS 16949