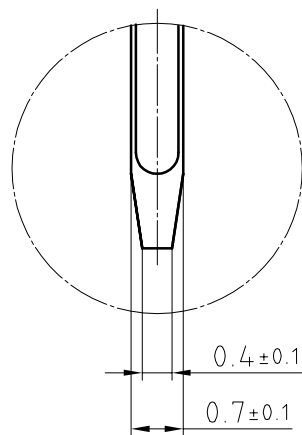
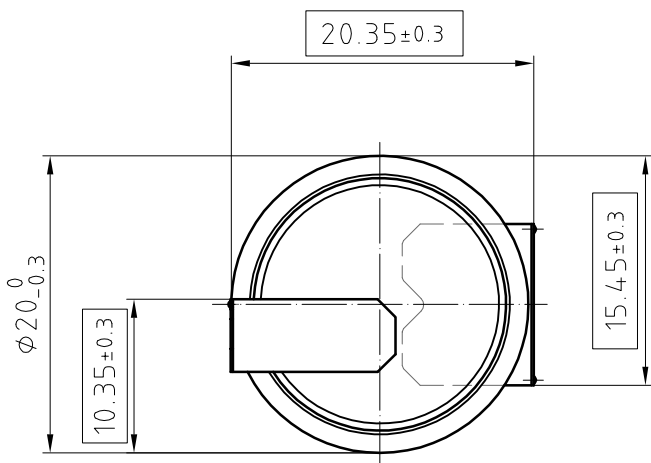
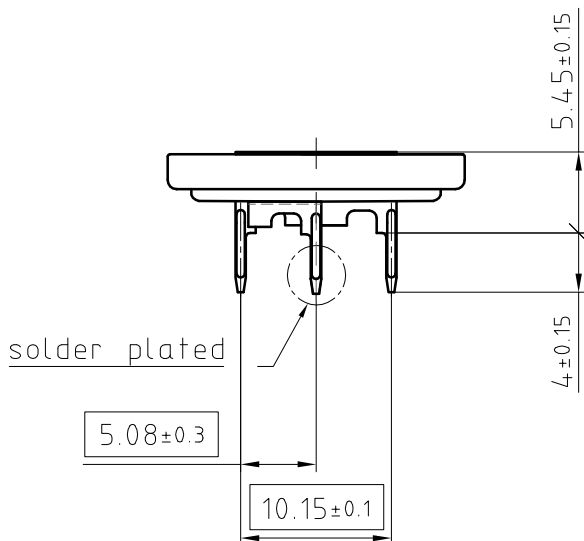
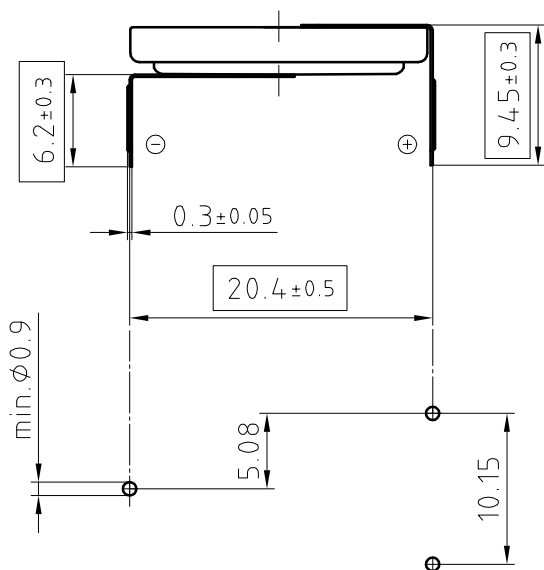


Art.-Number: 703335



- Samples can deviate in the execution from the serie.



Layout top view

- Dimensions and tolerances can be specified only after the testing of the devices for the mass production definitely

All dimensions in mm.

Tab material: Stainless steel

Direction of tab corrugation could be to the inner side, or outer side

All framed values will be used for dimension checking !

Rev.	<input type="radio"/>			Rev.	<input type="radio"/>				Customer's Approval		
Rev.	<input type="radio"/>			Rev.	<input type="radio"/>				Date		
Rev.	<input type="radio"/>			Rev.	<input type="radio"/>				Signature		
Title:								Scale	Drawn	18.09.12	PWU
CR2032 MFR HR2								2:1	Checked		
								Approved	19.09.12	SRI	

renata
batteries

CH-4452 Itingen
Switzerland

10.0925.4-