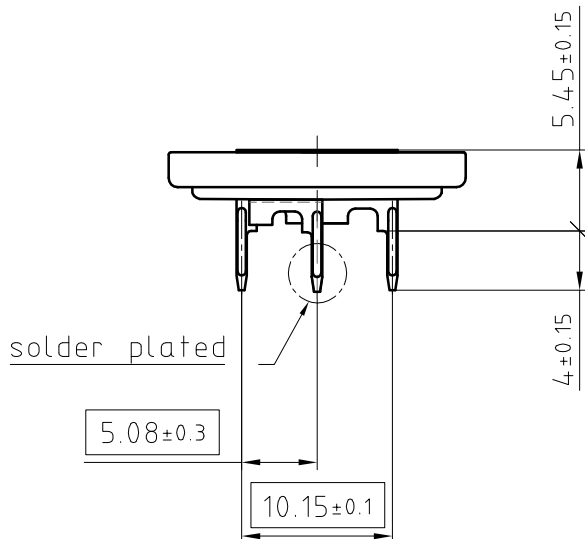
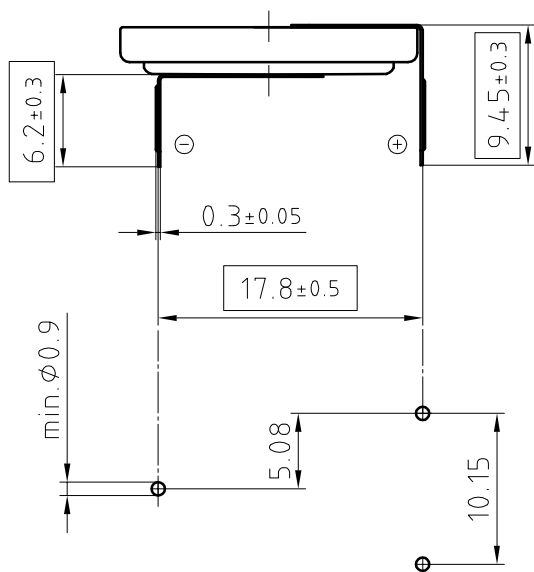
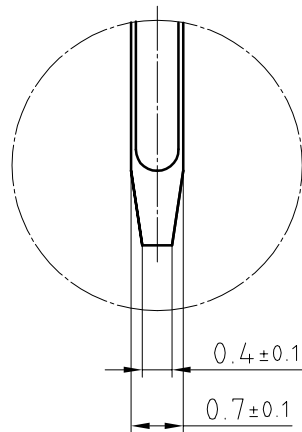
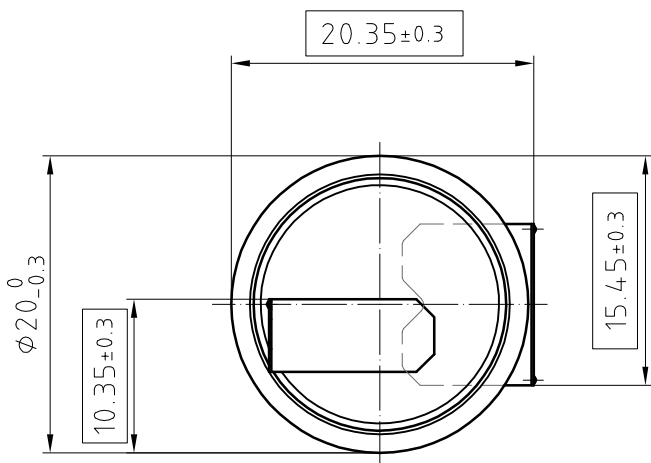


Art.-Number:703334



Layout top view

- Samples can deviate in the execution from the serie.

All dimensions in mm.

Tab material: Stainless steel

Direction of tab corrugation could be to the inner side, or outer side

All framed values will be used for dimension checking !

- Dimensions and tolerances can be specified only after the testing of the devices for the mass production definitely

Rev.	<input type="radio"/>			Rev.	<input type="radio"/>				Customer's Approval		
Rev.	<input type="radio"/>			Rev.	<input type="radio"/>				Date		
Rev.	<input type="radio"/>			Rev.	<input type="radio"/>				Signature		
Title:								Scale	Drawn	18.09.12	PWU
<h1>CR2032 MFR HR1</h1>								2:1	Checked		
									Approved	19.09.12	SRI

renata batteries

CH-4452 Itingen
Switzerland

10.0924.4-