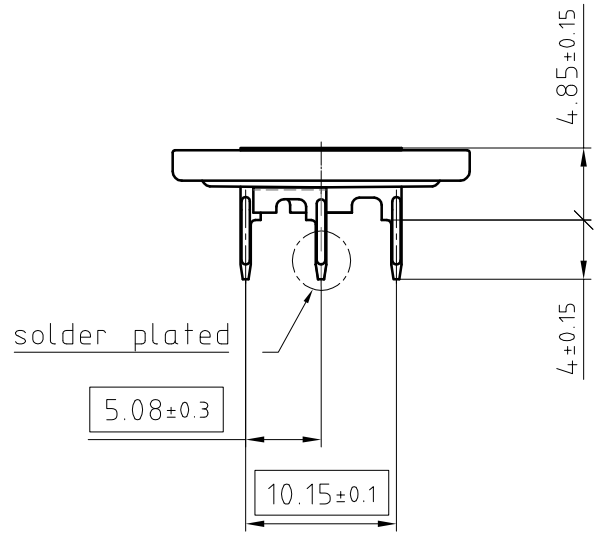
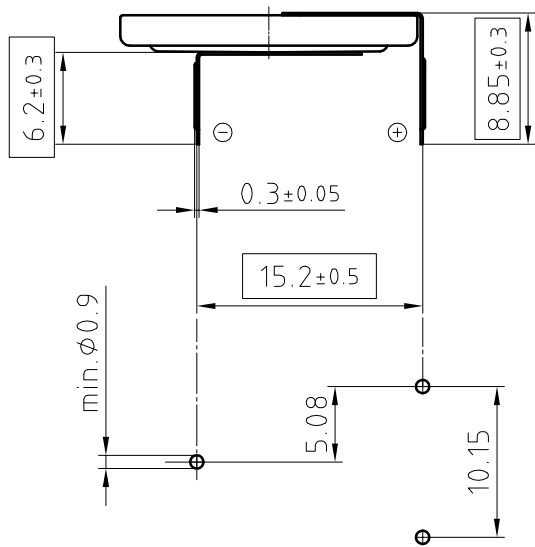
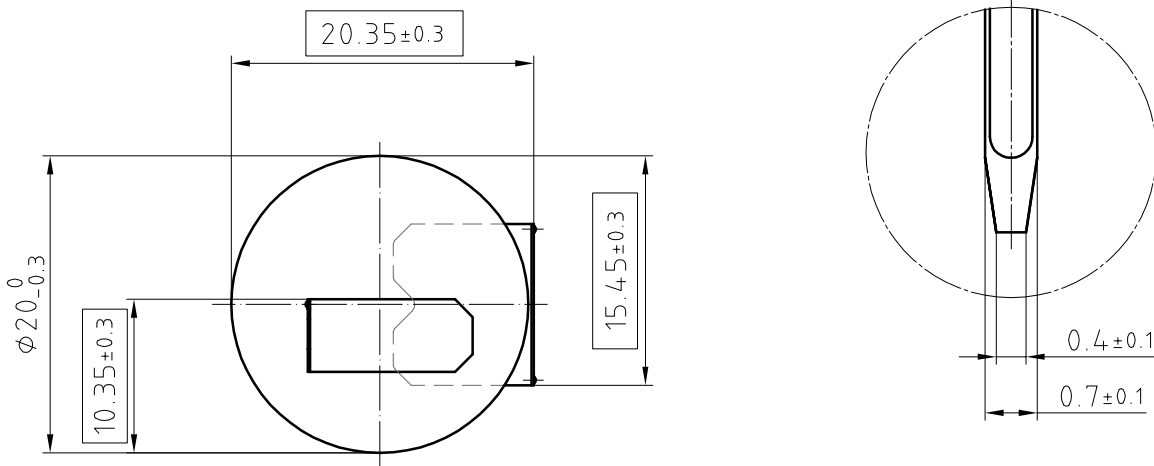


Art.-Number:703322



Layout top view

- Samples can deviate in the execution from the serie.

All dimensions in mm.
 Tab material: Stainless steel
 Direction of tab corrugation could be to the inner side, or outer side

All framed values will be used for dimension checking !

- Dimensions and tolerances can be specified only after the testing of the devices for the mass production definitely

Rev.	○			Rev.	○				Customer's Approval		
Rev.	○			Rev.	○				Date		
Rev.	○			Rev.	○				Signature		
Title:								Scale 2:1	Drawn	18.09.12	PWU
<h1>CR2025 MFR HR</h1>									Checked		
									Approved	19.09.12	SRI
								CH-4452 Itingen Switzerland			
								10.0913.4-			