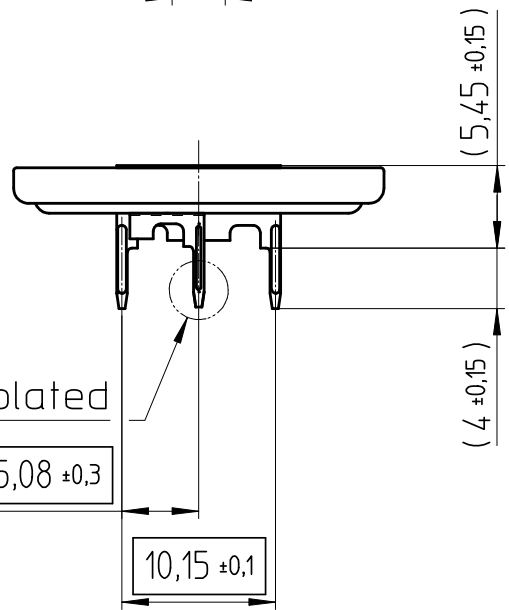
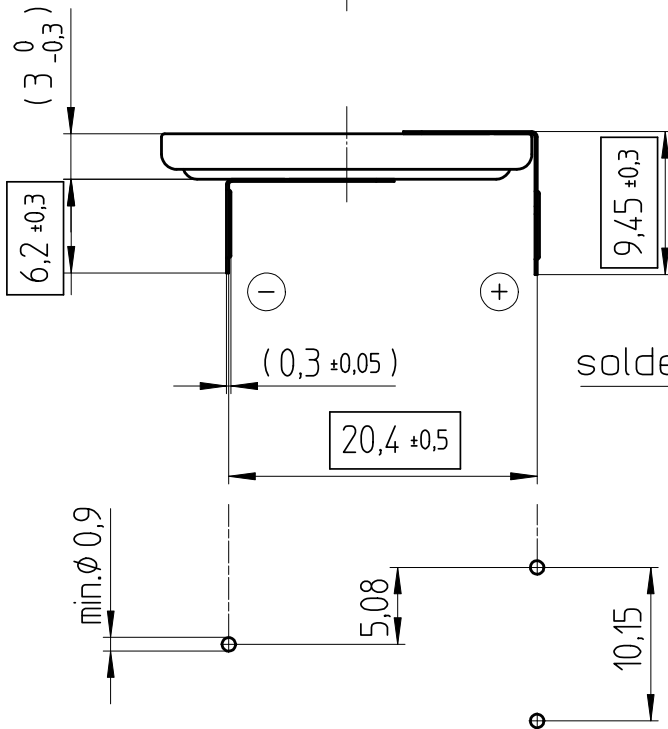
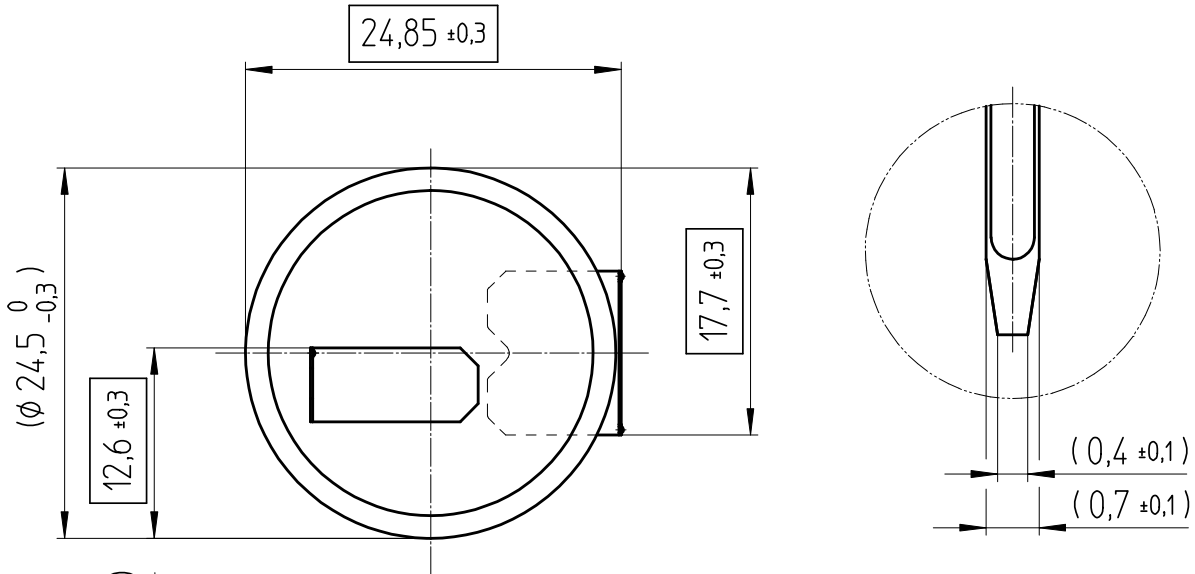


Art.-Number: 701093



Layout top view

- Samples can deviate in the execution from the serie.

Tab material: Stainless steel

All framed values will be used for dimension checking !

- Dimensions and tolerances can be specified only after the testing of the devices for the mass production definitely

Rev.	<input type="radio"/>			Rev.	<input type="radio"/>				Customer's Approval		
Rev.	<input type="radio"/>			Rev.	<input type="radio"/>				Date		
Rev.	<input type="radio"/>			Rev.	<input type="radio"/>				Signature		
Titel:								Scale	Drawn	05.01.05	SRi
CR2430RH1-LF								2:1	Checked	07.02.05	MHo
								Approved			
				CH-4452 Itingen Switzerland				3.8731.4-			