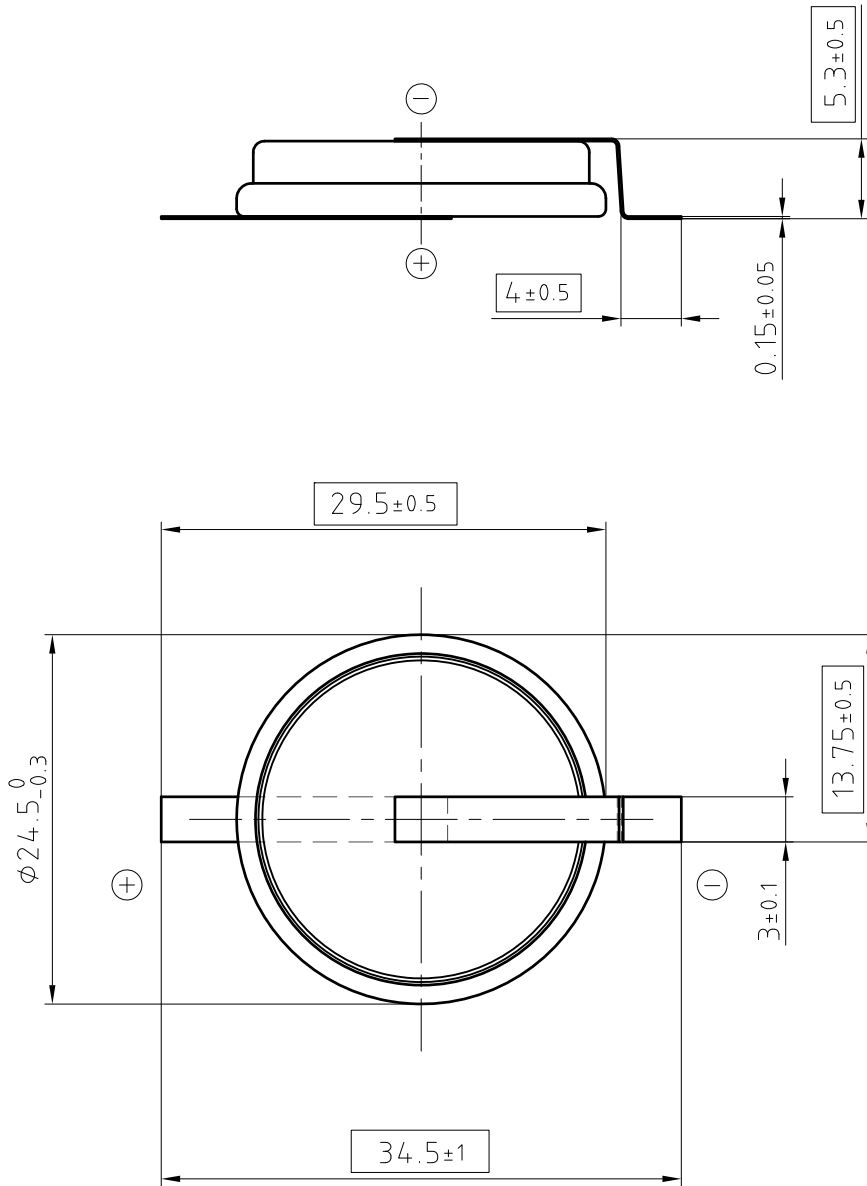


Art.-Number: 701977



- Samples can deviate in the execution from the serie.

Tab material: CuNi44 (54%Cu,44%Ni,Mn)  
All dimensions in mm.

All framed values will be used for dimension checking !

- Dimensions and tolerances can be specified only after the testing of the devices for the mass production definitely

Rev.	①	21.05.15	PWu	Rev.	○				Customer's Approval				
Rev.	○			Rev.	○				Date				
Rev.	○			Rev.	○				Signature				
Titel:								Scale 2:1	Drawn	05.11.07	SRI		
CR2450NSM									Checked	10.06.15	MDI		
									Approved				
								CH-4452 Itingen Switzerland			3.9206.4-1		