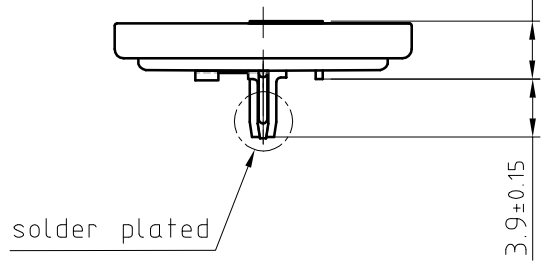
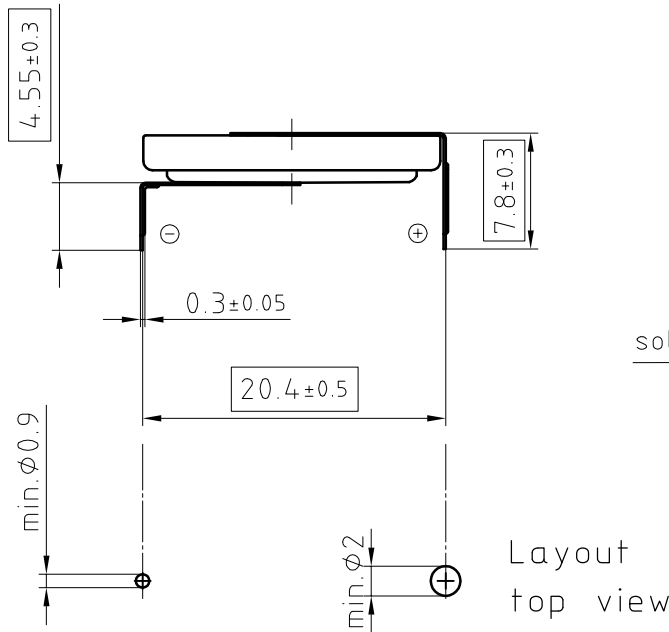


- Samples can deviate in the execution from the serie.



All dimensions in mm.

Tab material: Stainless steel

Direction of tab corrugation could be to the inner side, or outer side

All framed values will be used for dimension checking !

- Dimensions and tolerances can be specified only after the testing of the devices for the mass production definitely

Rev.	○			Rev.	○				Customer's Approval			
Rev.	○			Rev.	○				Date			
Rev.	○			Rev.	○				Signature			
Title:								Scale 2:1	Drawn	18.09.12	PWu	
CR2032 MFR HF4									Checked			
									Approved	19.09.12	SRI	
				CH-4452 Itingen Switzerland				10.0920.4-				