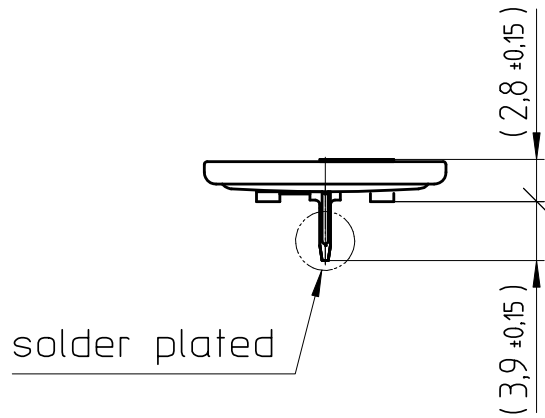
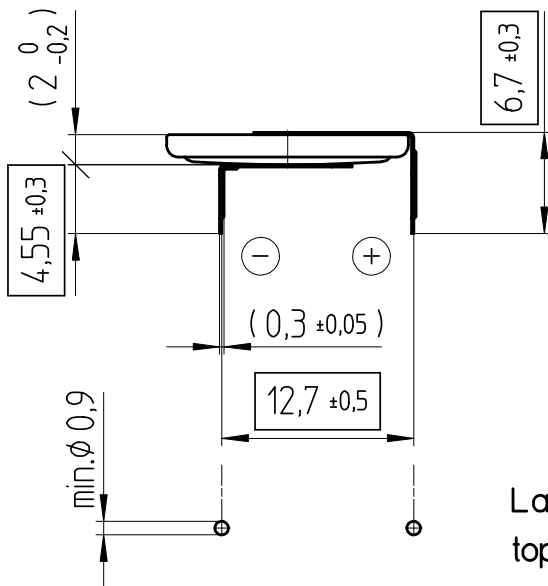
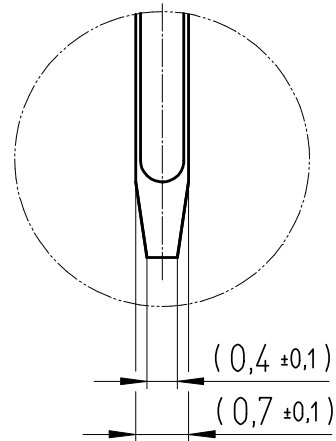
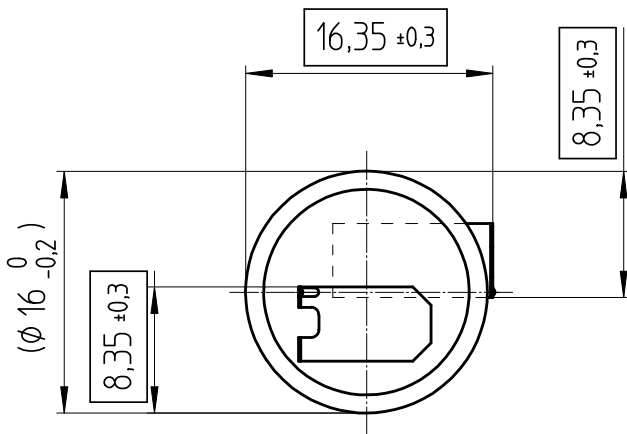


Art.-Number: 701067



Layout top view

- Samples can deviate in the execution from the serie.

Tab material: Stainless steel

All framed values will be used for dimension checking !

- Dimensions and tolerances can be specified only after the testing of the devices for the mass production definitely

Rev.	○			Rev.	○				Customer's Approval		
Rev.	○			Rev.	○				Date		
Rev.	○			Rev.	○				Signature		
Titel:								Scale 2:1	Drawn	22.12.04	SRi
CR1620FH-LF									Checked	07.02.05	MHo
									Approved		
								CH-4452 Itingen Switzerland		3.8704.4-	